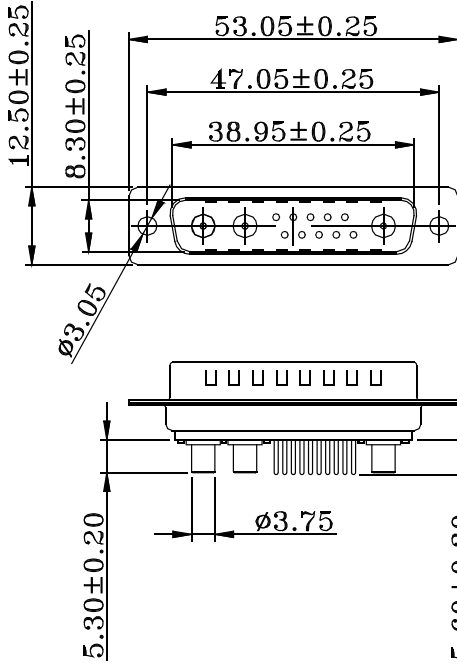
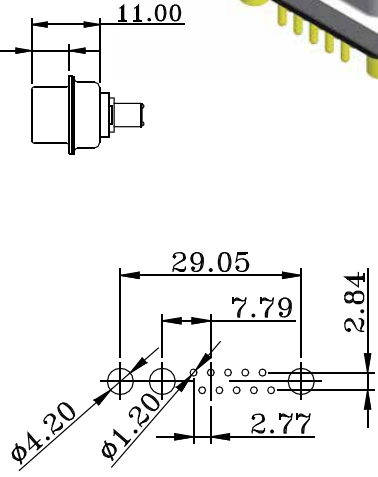
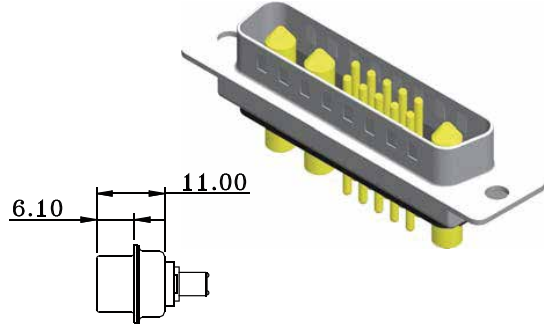


# Power Straight Type

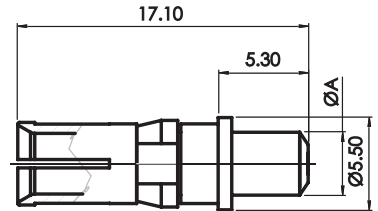
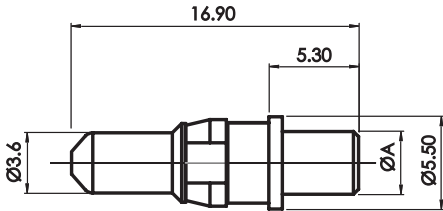


MALE



FEMALE

PCB LAYOUT



| Current Rating | Dimension (mm) ØA |
|----------------|-------------------|
| 10A            | 1.7               |
| 20A            | 2.8               |
| 30A            | 3.2               |
| 40A            | 3.75              |

## ORDER INFORMATION

